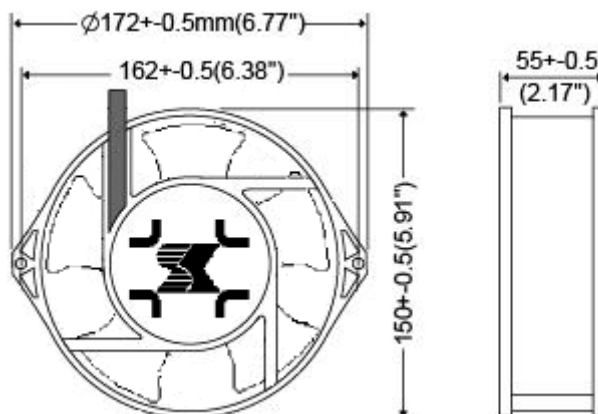
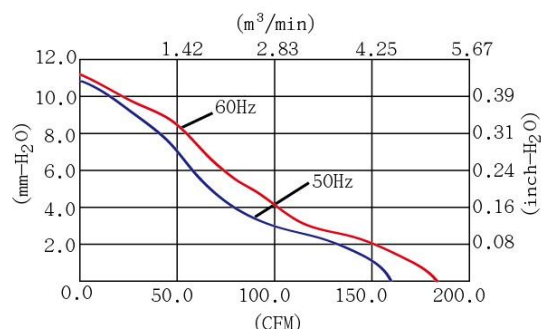


AC FAN SK165AP $\phi 172 \times 150 \times 55 \text{mm} (6") 166 \sim 180 \text{ CFM}$



- 馬達 Motor: Shaded pole, impedance protected or thermally protected
- 外殼 Housing / Frame: Die-cast aluminum, Painted black (AP) or Plated (AN)
- 風葉 Impeller: Glass reinforced thermoplastic, UL 94V-0
- 軸承 Bearing Type: Two-ball bearing
- 接電方式 Connecting: W-Lead wire type
- 耐壓 Dielectric Strength: 1 min. at 1,500VAC, 50/60Hz
- 溫度範圍 Operating Temp: Ambient $-20^{\circ}\text{C} \sim +55^{\circ}\text{C}$
- 壽命 Life Expectancy: 50,000 hours at 25°C
30,000 hours at 65°C
- 淨重 Net Weight: 904gm(1.99 pounds)
- 檢定 Safety Approvals: UL, CUL, TUV, CE, RoHS

SK165 P-Q Curves



| 型號 Model No. | 電壓 Rated VAC | 頻率 Freq. Hz | 電流 Rated Input Amp | 功率 Rated Input Watt | 轉速 Rated Speed RPM | 最大風量 | | 最大風壓 | | 噪音 Noise Level (dB) |
|-----------------|--------------------|-------------------|-----------------------------|------------------------------|-----------------------------|---------------------|---------|---------------------|-----------------------|------------------------------|
| | | | | | | m ³ /min | CFM | mm-H ₂ O | inch-H ₂ O | |
| SK165AP-11-1 | 115 (100V~120V) | 50/60 | 0.55/0.47 | 48.3/39.0 | 2600/2850 | 4.7/5.1 | 166/180 | 10.8/11 | 0.42/0.43 | 50/53 |
| SK165AP-22-1 | 230 (200V~230V) | 50/60 | 0.28/0.23 | 50.2/40.8 | 2600/2850 | 4.7/5.1 | 166/180 | 10.8/11 | 0.42/0.43 | 50/55 |