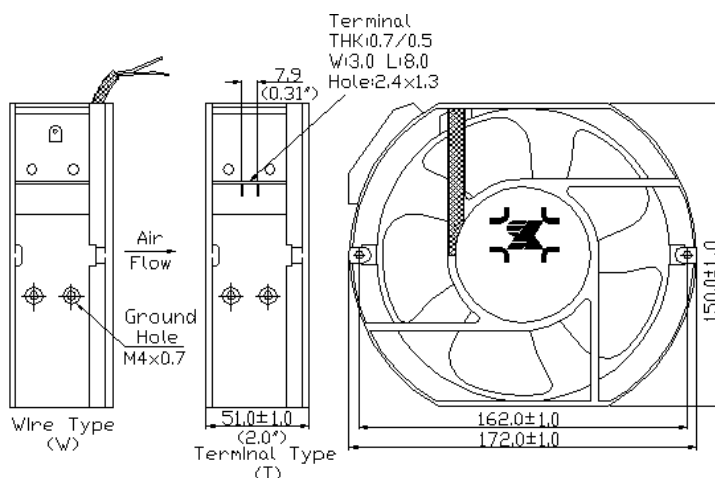
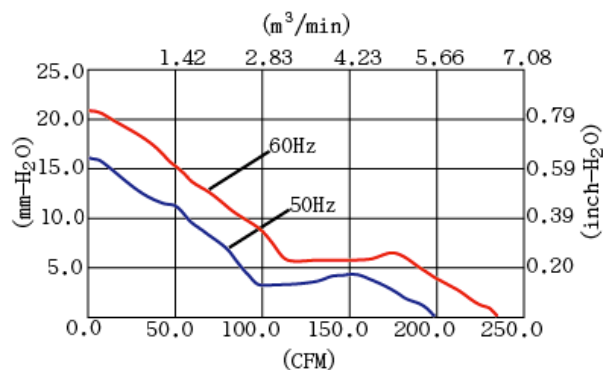


AC FAN SK172AP $\varnothing 172 \times 150 \times 51 \text{mm} (6") 235 \sim 96 \text{ CFM}$



- 馬達 Motor: Single phase induction capacitor motor, thermally protected or impedance protected
- 外殼 Housing / Frame: Die-cast aluminum, Painted black (AP) or Plated (AN)
- 風葉 Impeller: Glass reinforced thermoplastic, UL 94V-0
- 軸承 Bearing Type: Two-ball bearing
- 接電方式 Connecting: T-Terminal push-on type or W-Lead wire type
- 耐壓 Dielectric Strength: 1 min. at 1,500VAC, 50/60Hz
- 溫度範圍 Operating Temp: Ambient -20°C ~ +80°C
- 壽命 Life Expectancy: 60,000 hours at 25°C
40,000 hours at 65°C
- 淨重 Net Weight: 1,050gm (2.31 pounds)
- 檢定 Safety Approvals: UL, CUL, TUV, CE, RoHS

SK172 P-Q Curves



型號 Model No.	電壓 Rated VAC	頻率 Freq. Hz	電流 Rated Input Amp	功率 Rated Input Watt	轉速 Rated Speed RPM	最大風量 Max. Air Flow		最大風壓 Max. Static Pressure		噪音 Noise Level (dB)
						m³/min	CFM	mm-H ₂ O	inch-H ₂ O	
SK172AP-11-1	115 (100V~120V)	50/60	0.24/0.25	24/28	2800/3200	5.6/6.7	199/235	16/21	0.63/0.83	57/61
SK172AP-11-2	115 (100V~120V)	50/60	0.17/0.21	20/23	2550/2400	4.9/4.7	172/165	11/8.8	0.43/0.35	53/51
SK172AP-11-3	115 (100V~120V)	50/60	0.16/0.20	16/18	1450/1750	2.7/3.2	96/114	3.8/5.6	0.15/0.22	36/41
SK172AP-22-1	230 (200V~240V)	50/60	0.12/0.16	24/28	2800/3200	5.6/6.7	199/235	16/21	0.63/0.83	56/60
SK172AP-22-2	230 (200V~240V)	50/60	0.10/0.12	20/23	2550/2300	4.9/4.7	172/165	11/8.8	0.43/0.35	53/50
SK172AP-22-3	230 (200V~240V)	50/60	0.09/0.016	16/18	1450/1750	2.7/3.2	96/114	3.8/5.6	0.15/0.22	36/42